

APPETIZERS

EDAMAME-----	\$3.50
STEAMED SOYBEAN	
SHUMAI-----	\$5.50
STEAMED SHRIMP, CRAB, OR PORK DUMPLING	
CRAB SUNOMONO-----	\$5.50
IMITATION CRAB W/SWEET VINEGAR SAUCE. OR 4 PCS YOUR CHOICE OF FISH ADD \$4	
SPICY CRAB SALAD-----	\$6.00
IMITATION CRAB W/ KIMCHEE SAUCE. OR 4 PCS YOUR CHOICE OF FISH ADD \$4	
KANISU-----	\$9.00
IMITATION CRAB, AVOCADO, MASAGO WRAPPED W/ SHAVED CUCUMBER W/ PONZU SAUCE	
◆ NARUTOMAKI-----	\$12.00
YOUR CHOICE OF FISH ,AVOCADO,MASAGO WRAPPED W/ SHAVED CUCUMBER W/ PONZU SAUCE	
◆ TUNA TATAKI-----	\$10.50
THIN SLICED SEARD TUNA ,SCALLION W/ PONZU SAUCE	

SMALL ROLL

◆ YOUR CHOICE OF FISH FROM -----	\$4.00
VEGETABLE FROM -----	\$3.00

HAND ROLL

WE CAN MAKE ANY HAND ROLL (EXCEPT HOUSE SPECIAL) FROM -----	
	\$3.50

ADDITIONAL for Roll

SP MAYO,EEL SAUCE,KIMCHEE SAUCE-	\$0.50
DRESSING -----	\$1.00
WASABI SEASONING -----	\$0.50
CREAM CHEESE, ASPARAGUS -----	\$0.75
TOMATO, TEMPURA CRUNCH -----	\$0.50
SOY PAPER -----	\$1.00
AVOCADO -----	\$1.50
MASAGO -----	\$2.00
KANPYO -----	\$1.00
SHIITAKE, PICKLED BURDOCK -----	\$1.00
CHANGE TO BROWN RICE -----	\$1.00

NIGIRI SUSHI

A LA CARTE

IMITATION CRAB-----	\$1.75
TAMAGO-----	\$1.75
INARI-----	\$1.75
MASAGO-----	\$2.50
◆ TUNA-----	\$2.50
◆ SALMON-----	\$2.50
◆ SQUID-----	\$2.25
SHRIMP-----	\$2.00
◆ TILAPIA (WHITE FISH) -----	\$2.00
◆ ESCOLAR(WHITE TUNA)-----	\$2.25
◆ HAMACHI-----	\$2.75
EEL-----	\$2.75
IKURA-----	\$3.50

SALAD

GREEN SALAD -----	\$2.00
SEAWEED SALAD (S)\$2.50 (L) \$4.00	
SQUID SALAD -----	\$5.00
SASHIMI SALAD -----	\$13.00
DOUBLE SIZE GREEN SALAD WITH SLICED FISH ON TOP (TUNA, SALMON, TILAPIA) WITH SOY MUSTARD DRESSING	

SOUP

WITH TOFU, SCALLION, SEAWEED	
MISO SOUP -----	\$2.00
WAKAME SOUP -----	\$2.00
SEAWEED CLEAR SOUP	

RICE

WHITE-----	\$2.00
BROWN / SUSHI -----	\$2.50

SWEETS

MOCHI ICECREAM 1 PC -----	\$2.00
2 PC (ANY COMBINATION) -----	\$3.50
3 PC (ANY COMBINATION) -----	\$4.50

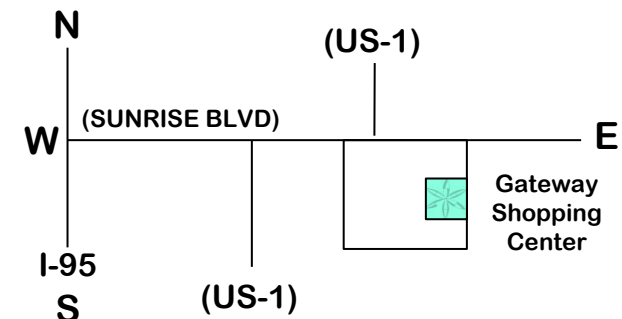
SASAYA

JAPANESE MARKET

SUSHI TO GO

SASAYAJAPANESE.COM
TEL : (954) 761-8010

1956 E. SUNRISE BLVD.
(GATEWAY SHOPPING CENTER)
Ft. LAUDERDALE, FL 33304



STORE OPEN 7 DAYS A WEEK
10:00 AM – 8:00 PM

SUSHI BAR OPEN
11:00 AM – 7:50 PM (LAST CALL)

WE ACCEPT CREDIT CARDS
VISA-MASTERCARD-AMEX

COMBINATIONS

COME WITH ONE SIDE : GREEN SALAD,
SEAWEED SALAD (SMALL), MISO SOUP,
OR SOFT DRINK (ANY KIND LESS THAN \$1.50)

SMALL ROLL COMBO----- \$9.75
CALIFORNIA ROLL AND ANY SMALL ROLL (EXCEPT IKURA)

MEDIUM ROLL COMBO----- \$14.00
CALIFORNIA ROLL AND
YOU CAN PICK ANY MEDIUM ROLL FROM MENU

◆ **NIGIRI COMBO (6PCS)**----- \$11.00
TUNA, HAMACHI, SALMON, WHITE FISH, EEL, AND SHRIMP

◆ **NIGIRI COMBO SPECIAL**----- \$14.00
6 PCS SUSHI ANY KIND (IKURA ADD \$1 /PC, EEL ADD \$0.50)

◆ **CALIFORNIA COMBO** ----- \$14.50
2 PCS TUNA, 2 PCS SALMON, CALIFORNIA ROLL

◆ **SALMON LOVER** ----- \$16.00
SALMON CALIFORNIA ROLL OR JB ROLL & 4 PCS SALMON

◆ **SUSHI COMBO FOR 1**----- \$16.00
5 PCS SUSHI (TUNA, SALMON, WHITE FISH, SHRIMP, EEL)
AND CALIFORNIA ROLL

◆ **SUSHI COMBO FOR 2**----- \$28.00
10 PCS SUSHI *COME WITH 2 SIDE
(2-TUNA, 2-SALMON, 2-WHITE FISH, 2-SHRIMP,2-EEL)
CALIFORNIA ROLL & SPICY TUNA ROLL

◆ **SASHIMI COMBO (6PCS)** ----- \$14.50
2-TUNA, 2-SALMON AND 2-HAMACHI

◆ **CHIRASHI SMALL**----- \$12.00
1 PCS EACH OF TUNA, SALMON, WHITE FISH, EEL,
MASAGO, TAMAGO AND IMITATION CRAB ON TOP OF
SUSHI RICE

◆ **CHIRASHI REGULAR**----- \$22.00
2 PCS EACH OF TUNA, SALMON, WHITE FISH, EEL,
SHRIMP, TAMAGO, AND IMITATION CRAB, ON TOP OF
SUSHI RICE.

◆ **SINGLE**----- \$25.00
5 PCS SUSHI, & 6 PCS SASHIMI AND CALIFORNIA ROLL
☆COME WITH 1 SIDE

◆ **DOUBLE**----- \$40.00
10 PCS SUSHI, 12 PCS SASHIMI,
CALIFORNIA ROLL & SPICY TUNA ROLL
☆COME WITH 2 SIDE

◆RAW ✦ VEGETARIAN * COOKED

MEDIUM ROLL

* **CALIFORNIA ROLL (I/O)**----- \$5.00
IMITATION CRAB, AVOCADO,CUCUMBER

◆ **SALMON CALIFORNIA ROLL (I/O)**- \$8.00
SALMON, AVOCADO, CUCUMBER

◆ **TUNA CALIFORNIA ROLL (I/O)**---- \$8.00
TUNA, AVOCADO, CUCUMBER

✦ **VEGETABLE ROLL (I/O)**----- \$6.00
CARROT, AVOCADO, CUCUMBER, KANPYO

✦ **SALAD ROLL (I/O)**----- \$7.00
LETTUCE, CUCUMBER, AVOCADO, TOMATO,
CARROT W/ GINGER DRESSING

✦ **AKEBONO ROLL (I/O)**----- \$8.00
JAPANESE PICKLED BURDOCK, AVOCADO,
CUCUMBER, SHIITAKE MUSHROOM

◆ **JB ROLL (I/O)**----- \$8.00
SALMON, CREAM CHEESE, SCALLION

◆ **SPICY TUNA ROLL (I/O)**----- \$8.00
TUNA, CUCUMBER, SCALLION W/ KIMCHEE SAUCE

◆ **TUNA CRUNCH ROLL (I/O)**----- \$8.50
TUNA, CUCUMBER, TEMPURA CRUNCH

◆ **SUNRISE ROLL (I/O)**----- \$9.50
TUNA, SALMON, CUCUMBER, MASAGO,
SHIBAZUKE, W/ WASABI SEASONING

◆ **HAMACHI ROLL (I/O)**----- \$8.50
HAMACHI (JAPANESE YELLOW TAIL) AND SCALLION

◆ **RAINBOW ROLL (I/O)**----- \$9.50
FISH (TUNA&SALMON) ON TOP OF CALIFORNIA ROLL

* **DYNAMITE ROLL** ----- \$8.00
IMITATION CRAB, TAMAGO, MIXED W/ MAYO

* **CHICKEN KATSU ROLL (I/O)**----- \$8.00
FRIED CHICKEN, AVOCADO, LETTUCE
W/ SPICY MAYO & EEL SAUCE

* **FILET-O-FISH ROLL (I/O)** ----- \$8.00
FRIED FISH, AVOCADO, LETTUCE
W/ SPICY MAYO & EEL SAUCE

* **SHRIMP TEMPURA ROLL (I/O)** ----- \$8.00
FRIED SHRIMP, AVOCADO, TEMPURA CRUNCH
W/ SPICY MAYO & EEL SAUCE

* **EEL & CUCUMBER ROLL (I/O)**----- \$8.50
EEL , CUCUMBER. W/ EEL SAUCE

* **DREAM ROLL** ----- \$9.00
EEL,TAMAGO,AVOCADO,CUCUMBER, W/ EEL SAUCE

* **C.C. JB ROLL** ----- \$8.50
COOKED SALMON, CREAM CHEESE,
TEMPURA CRUNCH W/ EEL SAUCE

* **CRAZY ROLL (I/O)**----- \$9.50
EEL, SCALLIONS, AVOCADO, ASPARAGUS
W/ EEL SAUCE

* **DRAGON ROLL (I/O)** ----- \$9.50
FRIED SHRIMP, ASPARAGUS,
AVOCADO ON TOP W/ EEL SAUCE, SPICY MAYO

HOUSE SPECIAL

◆ **SASAYA ROLL (I/O)** ----- \$12.00
TUNA, SALMON, WHITE TUNA,
AVOCADO, CUCUMBER

* **BALTIMORE ROLL (I/O)** ----- \$11.00
REAL CRAB MEAT MIX WITH MAYO, TEMPURA CRUNCH,
AVOCADO,MASAGO W/ EEL SAUCE

* **DANCING EEL ROLL (I/O)**----- \$12.00
EEL ON TOP OF CALIFORNIA ROLL

◆ **ARUGULA ROLL**----- \$13.00
TUNA, ARUGULA, ASPARAGUS, CUCUMBER,
CREAM CHEESE, GLAZED BALSAMIC, OLIVE OIL
FRESH LEMON JUICE, WRAPPED W/ PINK SOY PAPER

* **VOLCANO ROLL (I/O)**----- \$11.00
IMITATION CRAB, TAMAGO, MIXED W/ MAYO
ON TOP OF CALIFORNIA ROLL W/ EEL SAUCE

* **SUPER VOLCANO ROLL (I/O)**----- \$15.00
REAL CRAB MEAT W/ MAYO & TEMPURA CRUNCH
ON TOP OF ROLL (AVOCADO, MASAGO, CUCUMBER)
W/ EEL SAUCE

* **SPIDER (I/O) (HALF 6 PCS)**----- \$8.50
ROLL (I/O) (FULL 10 PCS)----- \$16.00
FRIED SOFT SHELL CRAB, AVOCADO, ASPARAGUS,
LETTUCE W/ SPICY MAYO & EEL SAUCE

* **FUTOMAKI (HALF 5 PCS)**----- \$7.50
ROLL (FULL 10 PCS)----- \$14.50
TAMAGO, KANPYO, CUCUMBER, IMITATION CRAB,
AVOCADO, MASAGO, ASPARAGUS